

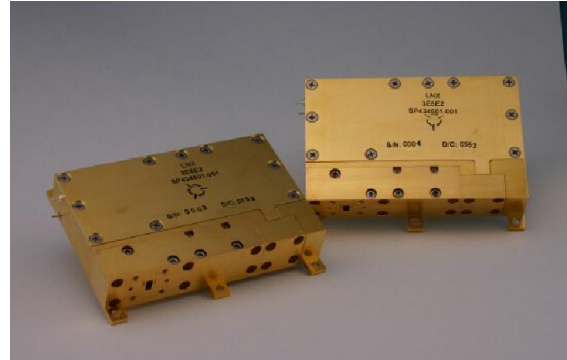
8B Industrial Way
Salem, NH 03079
Tel: (603)898-6800
www.lnxcorp.com
Sales@lnxcorp.com

Q- Band MMW UP-Converter (Multiplied LO chain)

Features

- RF bandwidth: 43.5-45.5 GHz
- LO Input: 5.3- 5.44 GHz
- IF Input: 6-7 GHz
- Conversion Gain: 7 dB Typ.
- 50dB input dynamic range
- Operating temp. range -30C^o to +80C^o
- WR-28 Waveguide output
- GPO inputs

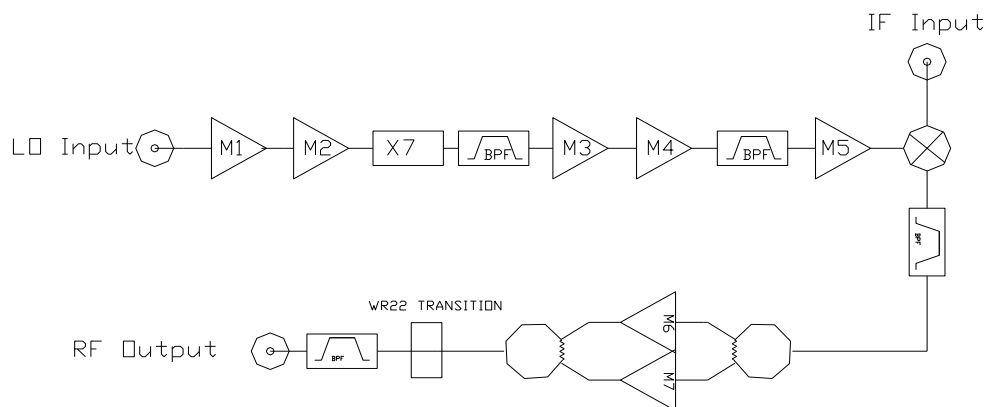
* Contact factory for extended temperature range



Item Description

LNIX offers custom designed MMW Up/Down Converters to satisfy your communications needs. A variety of custom features can be designed into the module at the customer's request, including a PLL with an external Reference port. LNIX utilizes the latest in MMIC amplifier technology to achieve optimum performance with minimum package size. Excellent output spurious response can be achieved as a result of mixed technologies (Microstrip RF circuitry followed by a narrow band Waveguide filter at the output). Switching regulators are used in order to reduce the overall power consumption of the module, allowing your system to run cooler.

Noise Figure, P1dB and Conversion Gain can be balanced against each other depending upon your system requirements. Call for other options, detailed performance data, application information, price and delivery.



**Block diagram of a typical
MMW Up-converter**