



PIN DIODE TRANSFER SWITCHES

Description

The LNIX PIN diode Transfer Switch family spans the frequency range of .5 – 18 GHz. It offers high performance and an integrated high speed driver controlled by TTL or CMOS signals. This switch will maintain high performance as a drop in device for system or subsystem requirements. The LNIX family of high performance switches is available in military or non military versions, hermetic and non-hermetic.

Applications

- EW Systems
- Communications Systems
- Antenna/Filter Selectors

Features

- Broadband Units
- Environmentally Sealed
- -55°C to +95°C Operation
- Shock/Vibration/Acceleration Capable

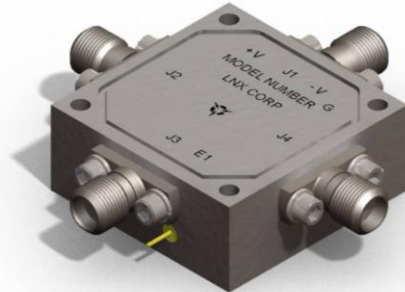


Table 1 SP3T Specifications

Band	Frequency GHz	Insertion Loss (dB MAX)	VSWR (MAX)	Isolation (dB MIN)	Switching Speed (nS MAX)
1	.5 – 2	1.5	1.6	80	100
2	2 – 6	1.5	1.7	70	100
3	6 – 18	2.9	2.0	60	100
4	2 – 18	3.0	2.0	60	100
5	.5 – 18	3.2	2.0	60	100

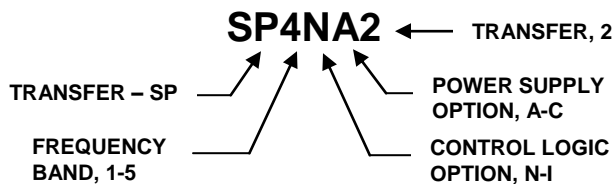
Table 2 Control Logic Option

Control Logic	Low Loss Paths Normal N	Isolation Paths Inverting I
TTL 0	J1-J2 J3-J4	J1-J4 J2-J3
TTL 1	J1-J4 J2-J3	J1-J2 J3-J4

Table 3 Power Supply Option

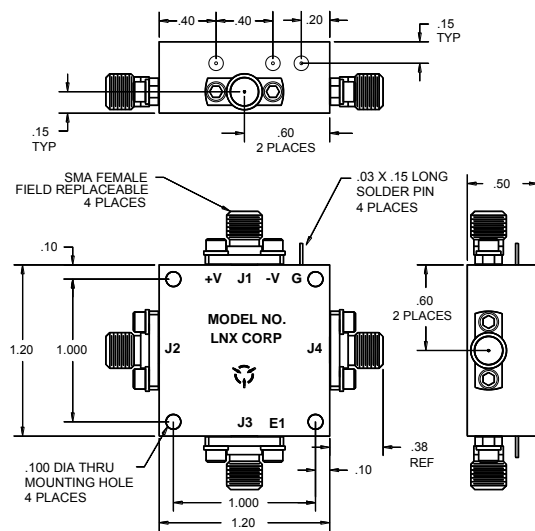
Code ± 5%	A	B	C	Current (mA MAX)
+ V	+5V	+5V	+12 to +15V	80
- V	-5V	-12 to -15V	-12 to -15V	50

Ordering Information



Environmental/Electrical Specifications

Switching Speed Measured from 50% Control to 10/90% RF
 Max RF Power, Operational/Survival: .5W/1W
 Storage Temp: -65°C to +150°C
 Finish: Grey Epoxy Paint per MIL-C-22750
 Weight: 1 oz MAX



Dimensions in Inches

Custom Switches

LNIX offers custom switch designs for requirements not covered in this specification. Options include LVTTTL, LVDS, or ECL control, Video Filtering, MIL-PRF-38534 Screening, and alternate RF connectors. Contact the factory to discuss specific requirements.